

Setting Your Materials for Scanning

Placing Films

- ▼ 35 mm film strips
- ▼ 35 mm slides
- ▼ Medium Format
- ▼ 4 x 5 inch film

You can scan 35 mm film strips, 35mm slides, Medium Format films, and 4 x 5 inch films. Your document cover also functions as the Film Adapter (transparency unit).

**Caution:**

Hold the film at its edges, or else use gloves. Touching the film surface with bare hands can leave fingerprints or other traces on the film.

**Note:**

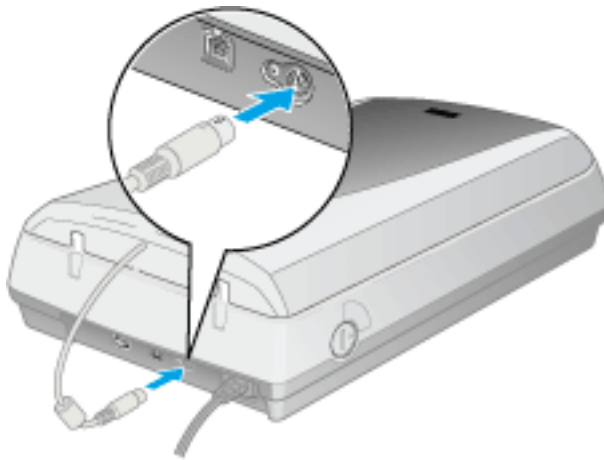
In the Full Auto Mode, you can scan 35 mm color film and 35 mm color slides. If you want to scan monochrome negative film, Medium Format film, or 4 x 5 inch film, switch to the Home Mode or Professional Mode.



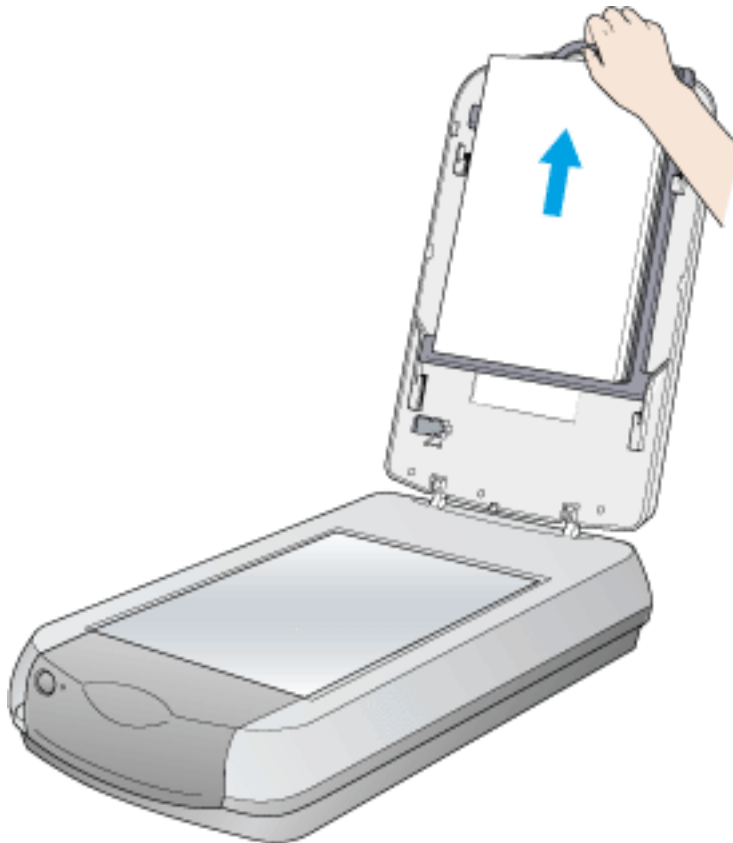
Make sure the document cover's cable is connected to the scanner's accessory interface connector.

**Note:**

Before connecting or disconnecting the document cover's cable, make sure the scanner is turned off.



- 2** Open the document cover and slide up the reflective document mat gently to remove it.



- 3** Load the films or slides into the film holder and position it on the document table. Go to the section listed below that matches the type of material you want to scan.

35 mm film strips

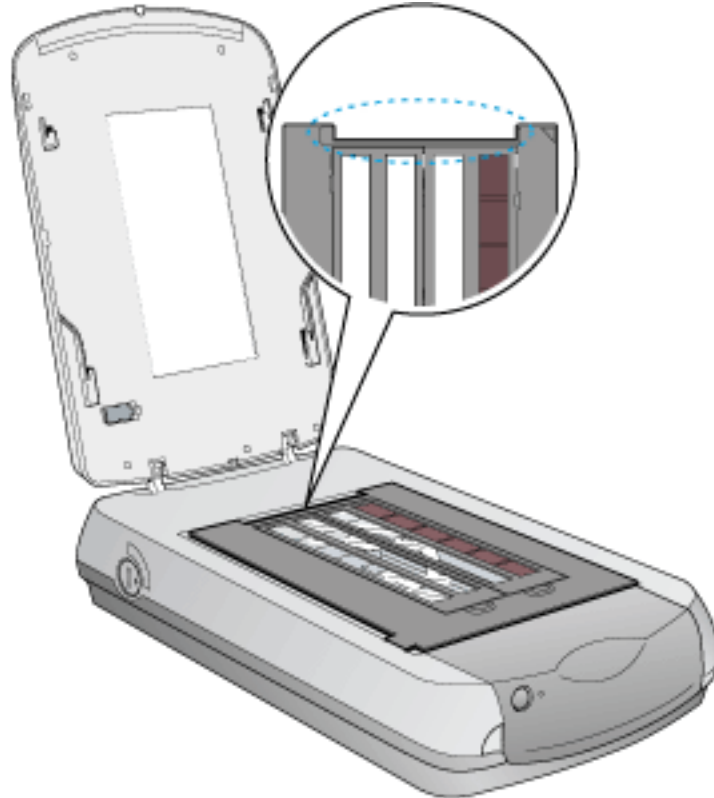
35 mm slides

Medium Format

4 x 5 inch film

Note:

- The base side of the film is the side where the film maker's name and film ID numbers can be read correctly. Also, when you look at an image on the film from the base side, the image should appear normally, not as the reverse of it.
- Set the film correctly in the film holder and position the film holder properly on the document table.
- Do not press the glass of the document table with too much force.
- Leave the part of the film holder shown below uncovered; otherwise the colors in your scans will be affected.



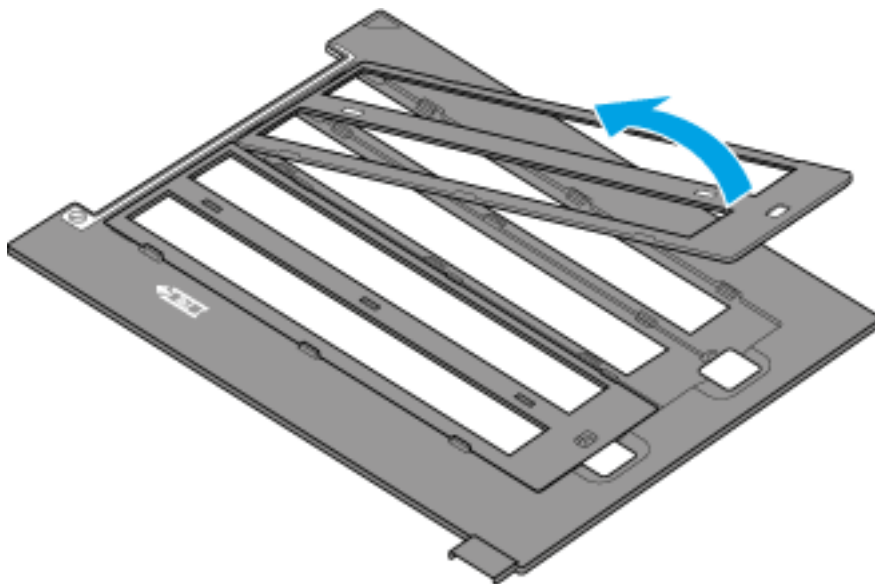
- 4 Close the document cover.

 **Note:**

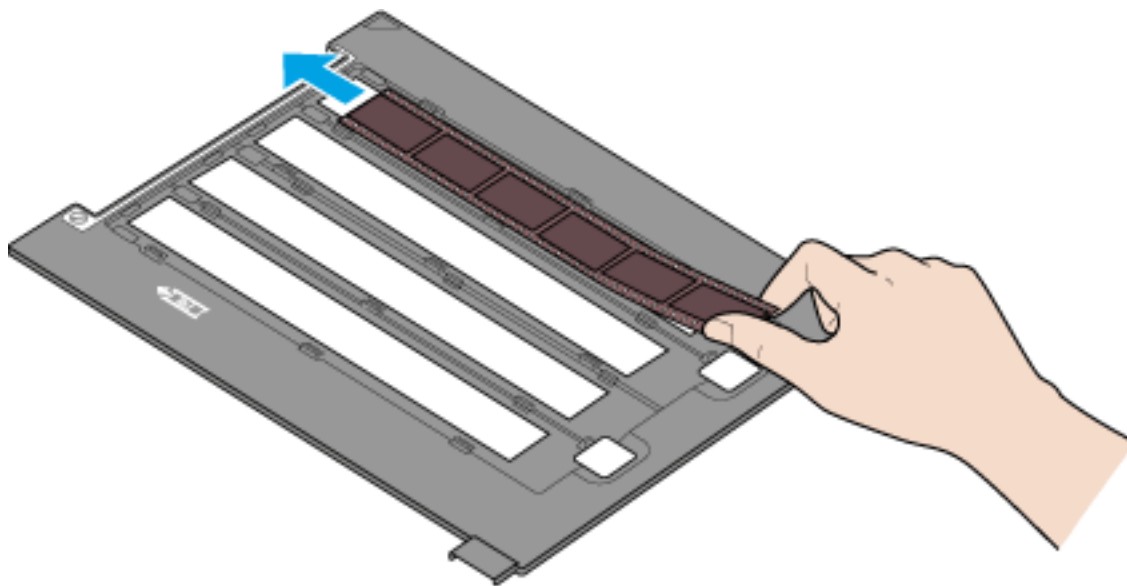
- Make sure the document cover is completely closed; otherwise you cannot obtain proper colored images.
- A newton ring (ring-shaped stripes pattern) may appear in the scanned image. To remove the newton ring, set the film with the base side facing up. For details, see [Newton ring appears in the scanned image](#).

35 mm film strips

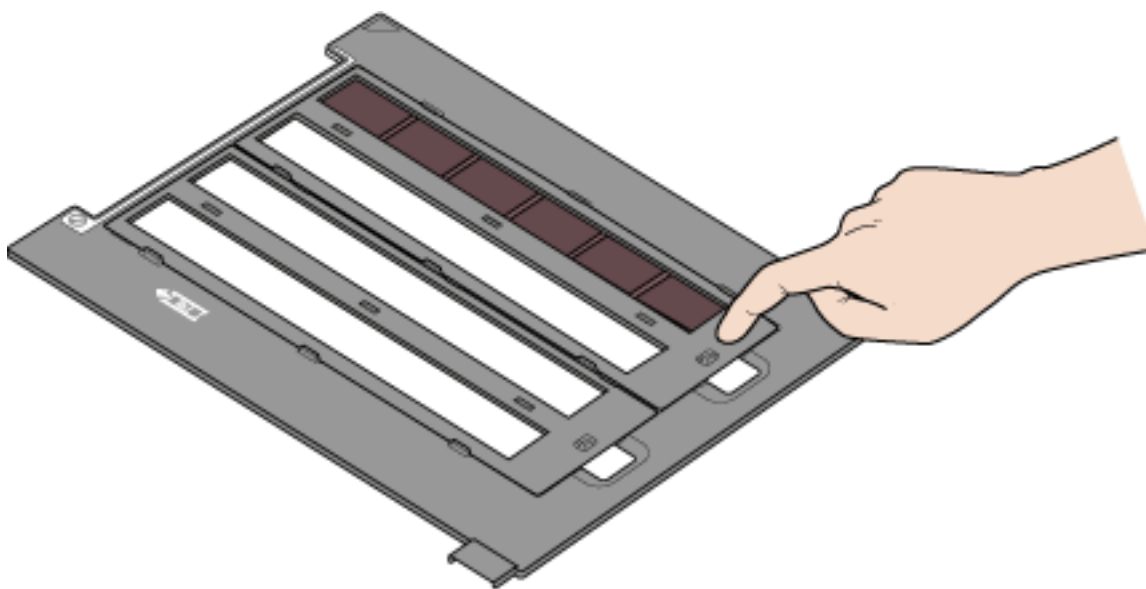
- 1 Open the cover of the 35 mm film holder.



- 2 Slide the edge of the strip in the film holder, base side facing down. Then place it so that all of the frame is positioned inside the film holder. You can set up to 24 frames into this film holder.



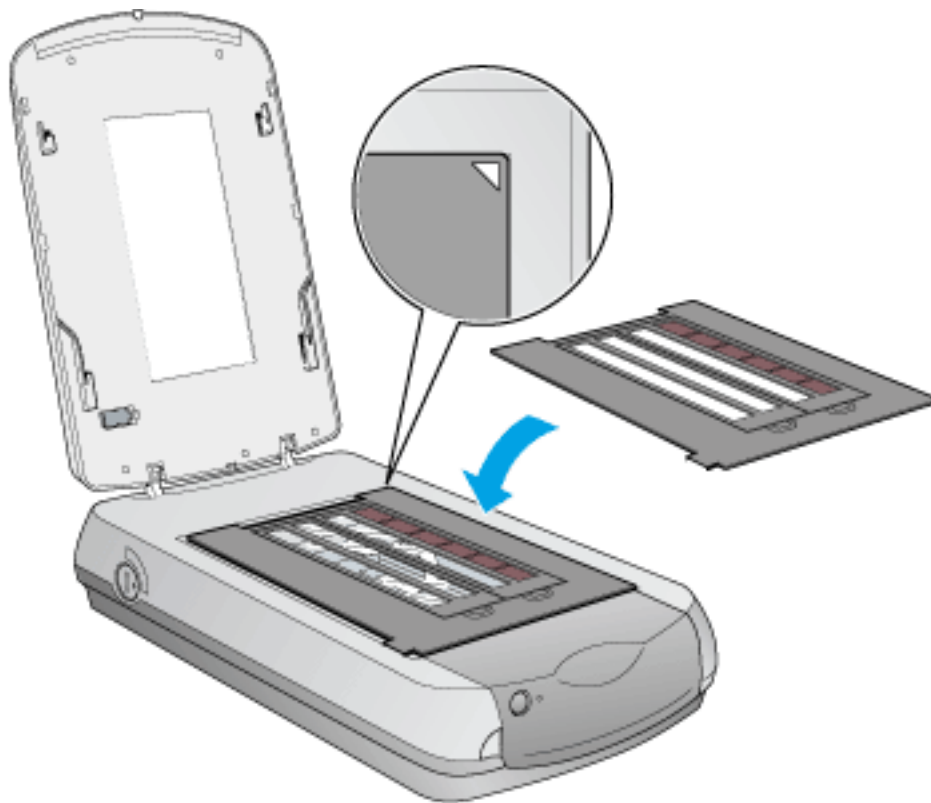
- 3** Set the cover on the film and press until you hear a click.



 **Note:**

Press around the entire perimeter of the cover to make sure it is secured.

- 4** Place the film holder on the document table so that it is aligned with the upper right corner of the document table.

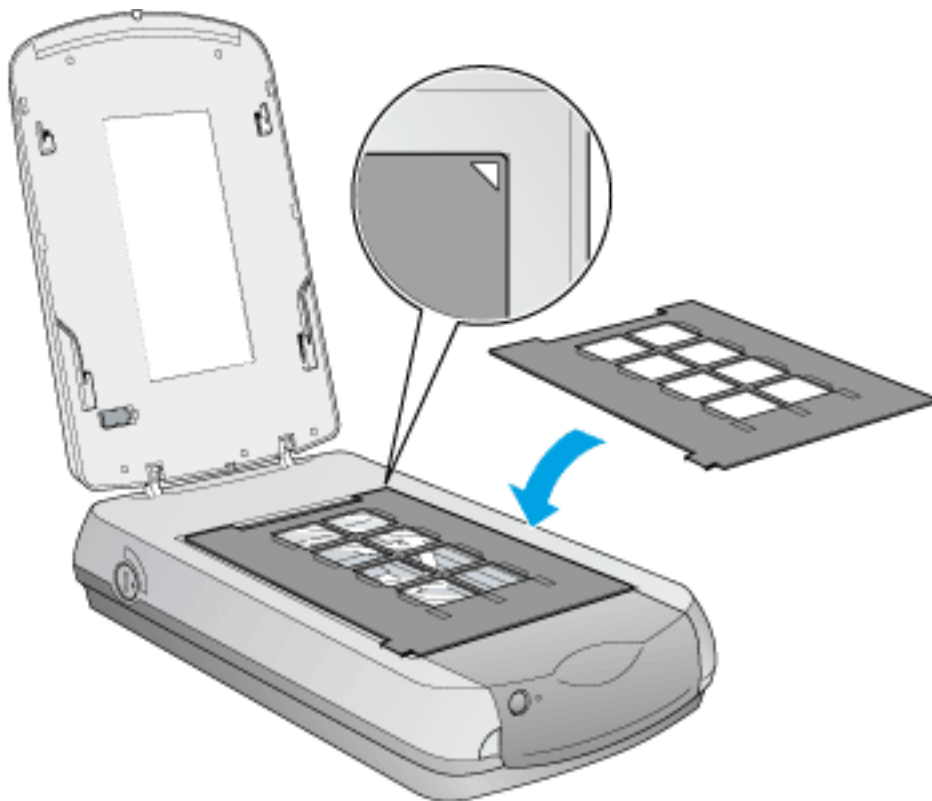



[Top]

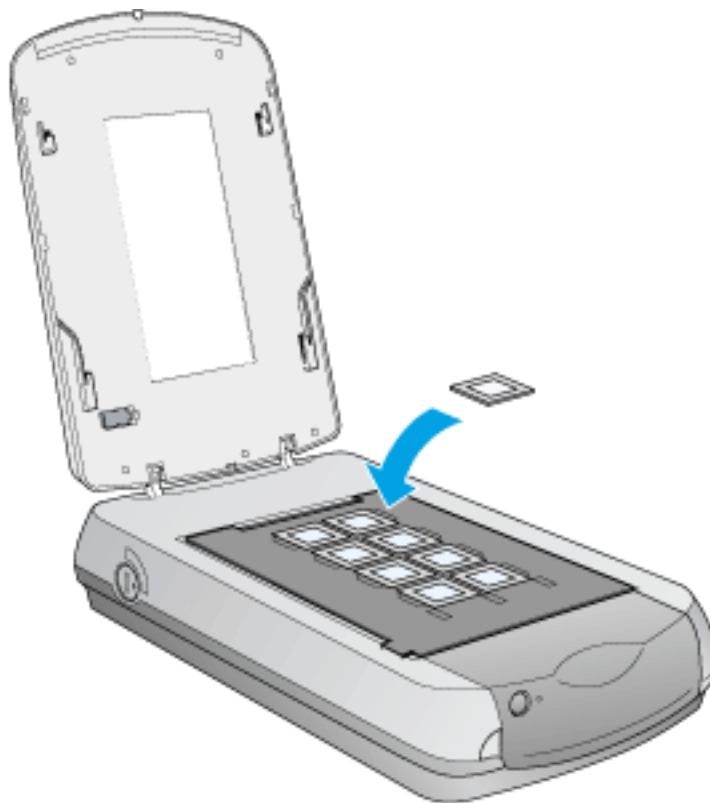
35 mm slides



Place the 35 mm slide holder on the document table so that it is aligned with the upper right corner of the document table.



2 Place slides in the holder, as shown below.

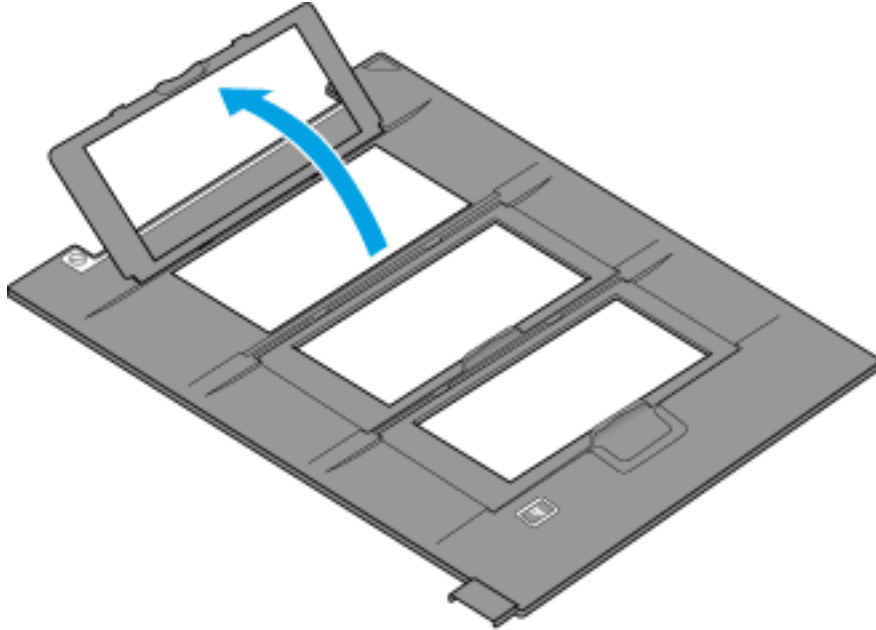



[Top]

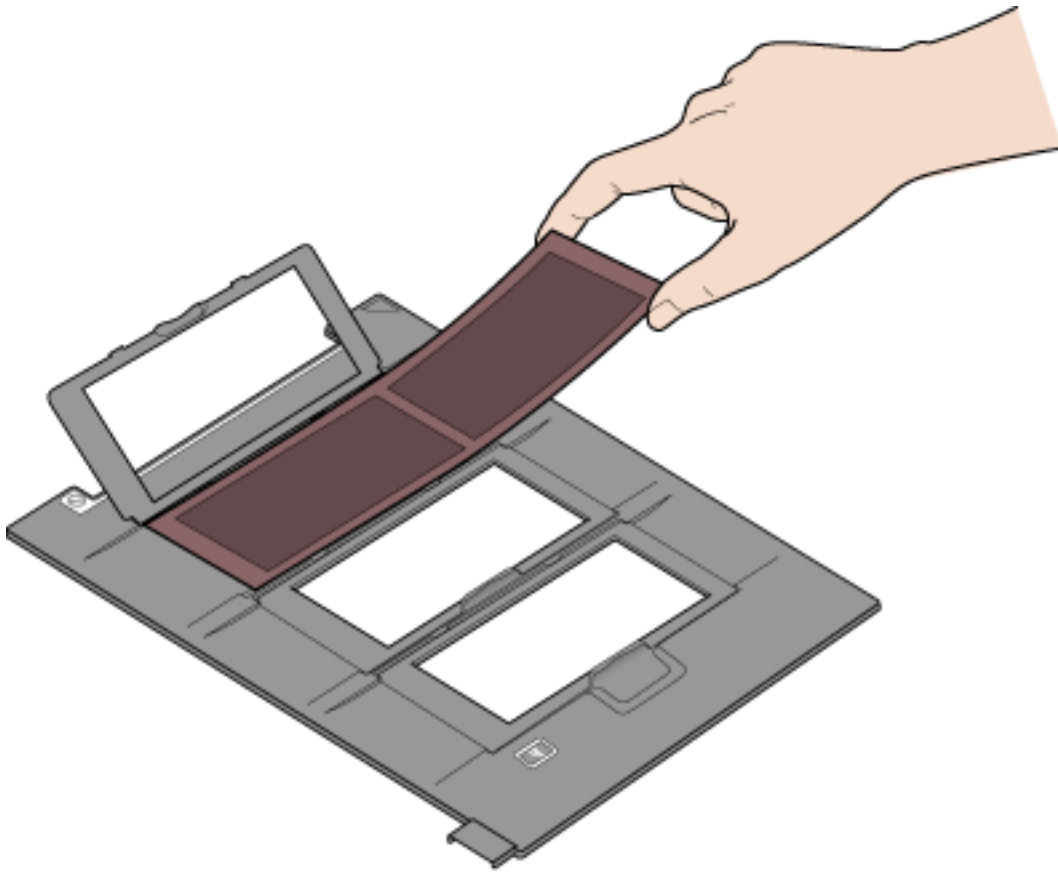
Medium Format



Open the cover of the medium format film holder.

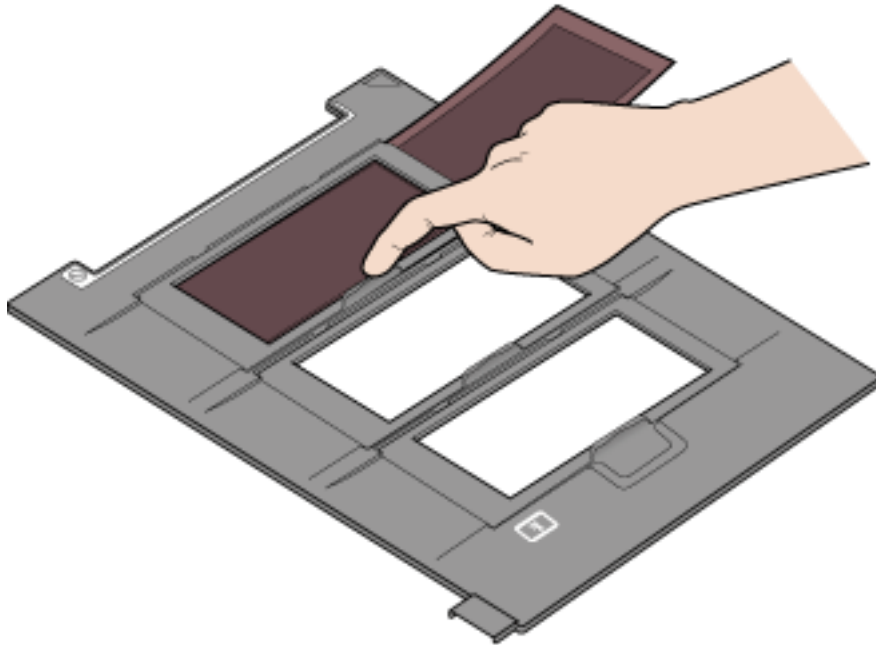


With the base side facing down, place the film on the film holder with the entire frame positioned inside the film holder opening. The maximum film size that you can place on this film holder is 2.4 x 4.7 inches (6 x 12 cm).



3

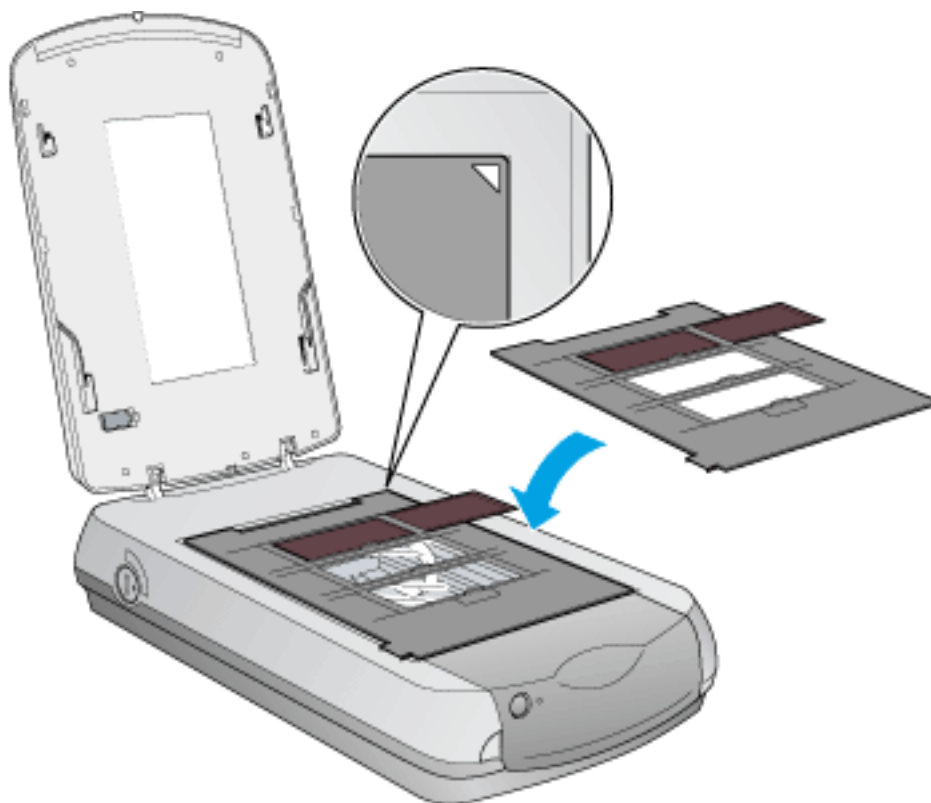
Set the cover on the film and press until you hear a click.



Note:

Press around the entire perimeter of the cover to make sure it is secured.

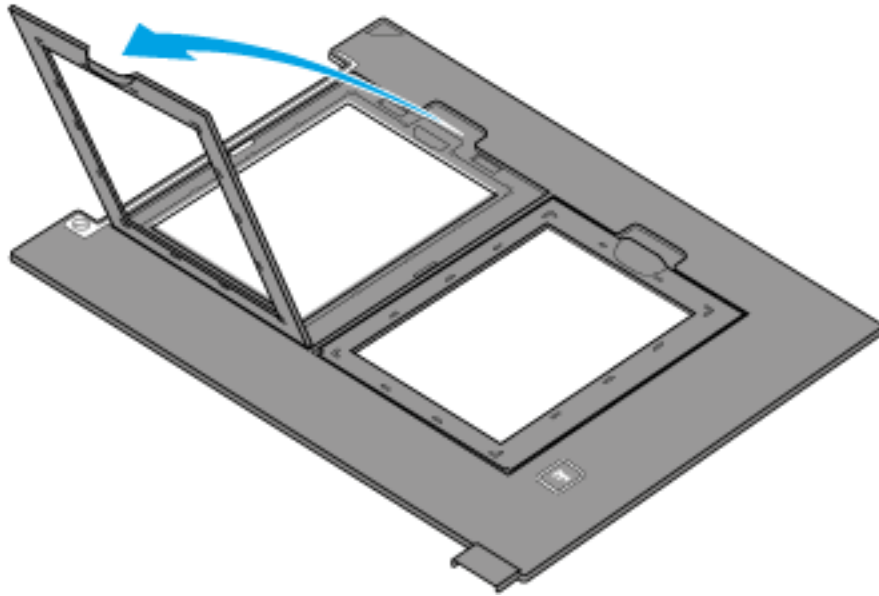
- 4 Place the film holder on the document table so that it is aligned with the upper right corner of the document table.




[Top]

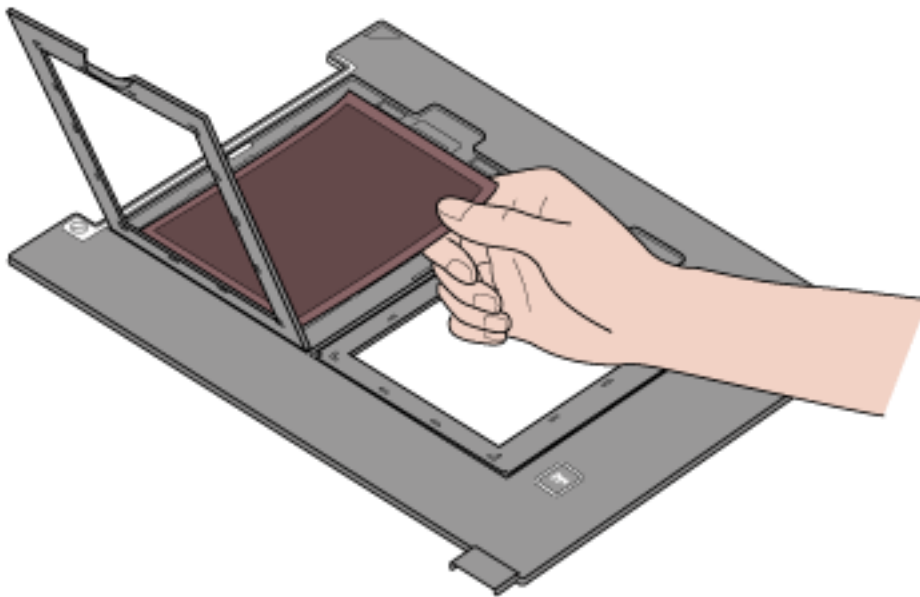
4 x 5 inch film

- I Open the cover of the 4 x 5 inch film holder.



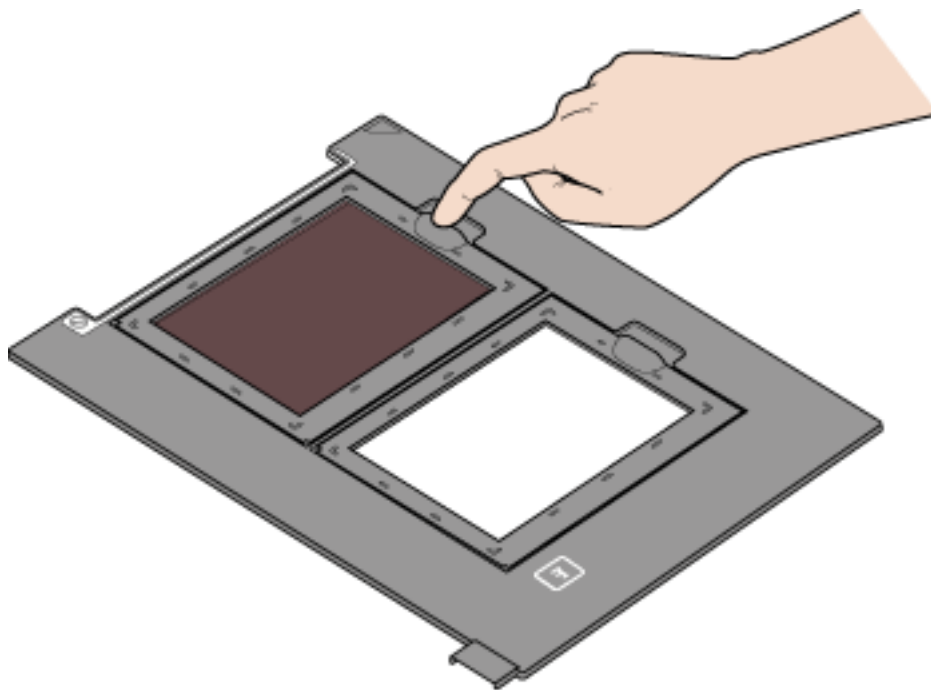
2

With the base side facing down, place the film on the film holder with the entire frame positioned inside the film holder opening.



3

Set the cover on the film and press until you hear a click.

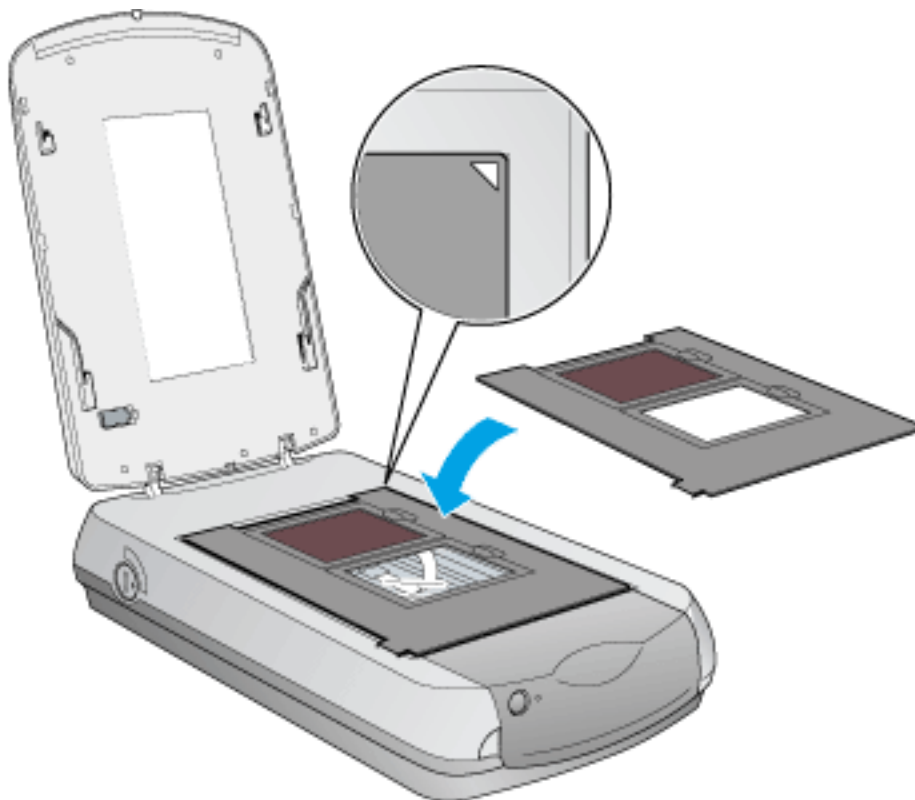


 **Note:**

Press around the entire perimeter of the cover to make sure it is secured.

4

Place the film holder on the document table so that it is aligned with the upper right corner of the document table.



For the detailed scanning procedure, see [For films](#).



[\[Top\]](#)



[Next](#)

Film Scanning Problems

- ▼ You cannot scan films
- ▼ You cannot scan the film from the Full Auto Mode or the Thumbnail Preview
- ▼ The colors of negative film preview images look strange
- ▼ Newton ring appears in the scanned image

You cannot scan films

Try one or more of these solutions:

- Make sure the document cover's cable is connected to the scanner.
- Make sure Document Type is set to the appropriate setting for your film type in the Home Mode or Professional Mode.
- Make sure the reflective document mat is removed when you scan films.
- Make sure the film is set correctly in the film holder, and that the film holder is properly positioned on the document table. For details, see below.



Placing
Films



[Top]

You cannot scan the film from the Full Auto Mode or the Thumbnail Preview

When scanning film, EPSON Scan may be unable to detect the images, or may be trimmed or grouped in an undesirable way, such as the following example.

- Images with a dark background may be trimmed irregularly.

- Images with a very bright background may also be trimmed irregularly.
- Color negative films whose base color (background) is extremely light or dark cannot be trimmed regularly.
- A small area around the edges of each image is trimmed.
- When scanning film with both panorama and regular size images, panorama images may be trimmed irregularly.
- Films larger than 35 mm (such as Medium Format or 4 x 5 size films) cannot be scanned.

Try one or more of these solutions:

- Make sure the film is set correctly in the film holder, and that the film holder is properly positioned on the document table. For details, see below.



Placing Films

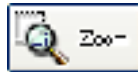
- Switch to the Home Mode or Professional Mode, and preview with the Normal Preview. In the Preview window, create marquees on the area you want to scan, and then scan.



[Top]

The colors of negative film preview images look strange

Try one or more of these solutions in the EPSON Scan Settings:

- Make sure Document Type is set to the appropriate setting for your film type.
- When previewing images with the Normal Preview, the dark area around the film, such as the frame of the film holder, is perceived as white, which alters the exposure of the scanning area and causes scans to appear darker. See the correct color by clicking and dragging the mouse pointer over an area, and then clicking the  **Zoom Preview** button.


- Preview images with the Thumbnail Preview.



[Top]

Newton ring appears in the scanned image

A newton ring is a ring-shaped stripes pattern that appears on the scanned image when you scan transparency materials. It may occur when the film is curled.

Set the film with the base side facing up and preview using the Thumbnail Preview; then reverse the previewed image by using the  Mirroring button.



[Top]



Previous



Next