

Placing Documents for Scanning

Placing Film on the Document Table

- ▼ 35mm filmstrips
- ▼ 35mm slides
- ▼ Medium Format
- ▼ 4 x 5 inch film
- ▼ Other size film using the Film Area Guide

You can scan 35mm filmstrips, 35mm slides, Medium Format film, and 4 x 5 inch film using the film holders and up to 8 x 10 inch film using the film area guide.



Caution:

Hold the film at its edges or use gloves. Touching the film surface with bare hands can leave fingerprints or other traces on the film.

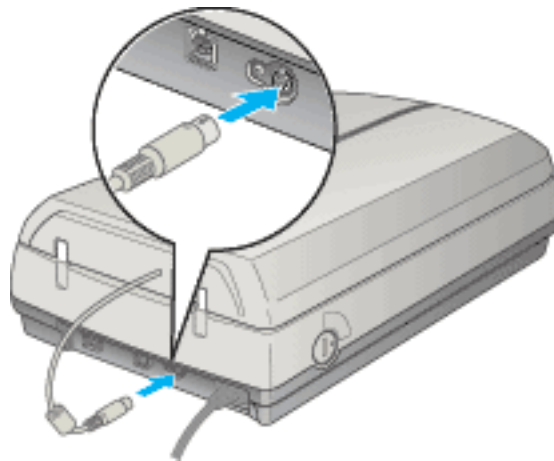


Note:

In Full Auto Mode, you can scan 35mm color film and 35mm color slides. If you want to scan monochrome negative film, or a different size film, switch to Home Mode or Professional Mode.



Make sure the document cover's cable is connected to the scanner.



Note:

Before connecting or disconnecting the document cover's cable, make sure the scanner is turned off.

- 2 Open the document cover and slide up the reflective document mat gently to remove it.



- 3 Place the film or slides into the film holder and position it on the document table. Refer to the links below for instructions:

[35mm filmstrips](#)

[35mm slides](#)

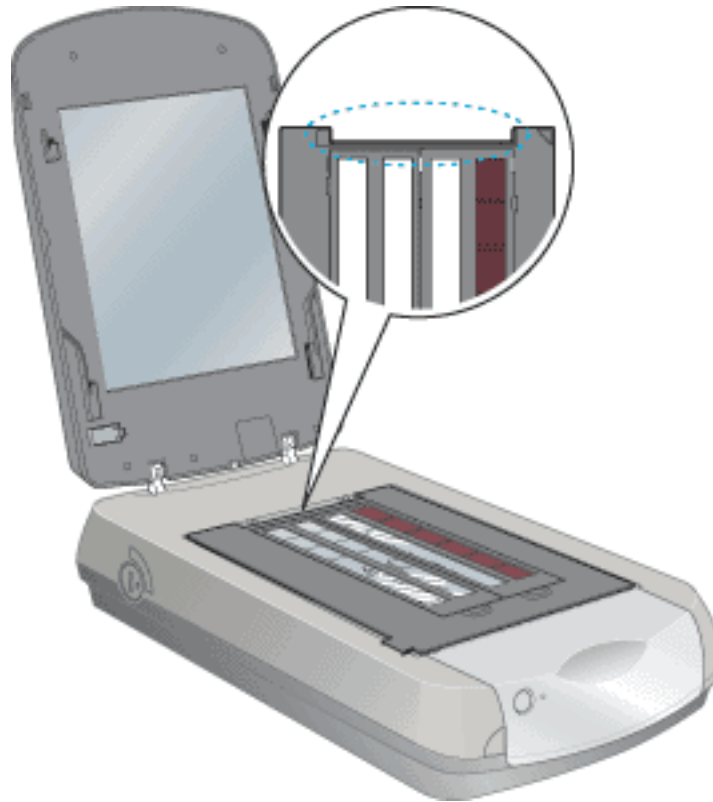
[Medium Format](#)


[4 x 5 inch film](#)

[Other size film using the Film Area Guide](#)

 **Note:**

- The base side of the film is the side where the filmmaker's name and film ID numbers can be read correctly. When you look at an image on the film from the base side, the image should appear normally, not reversed.
- Place the film in the film holder and position the film holder on the document table.
- Do not press on the document table glass.
- Leave the part of the film holder or film area guide (shown below) uncovered or colors in your scans will be affected.



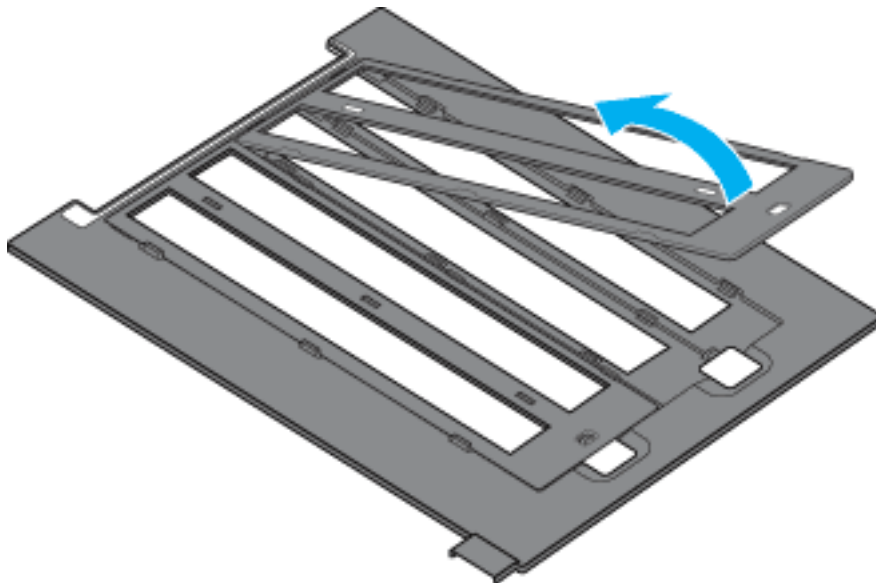
 Close the document cover.

 **Note:**

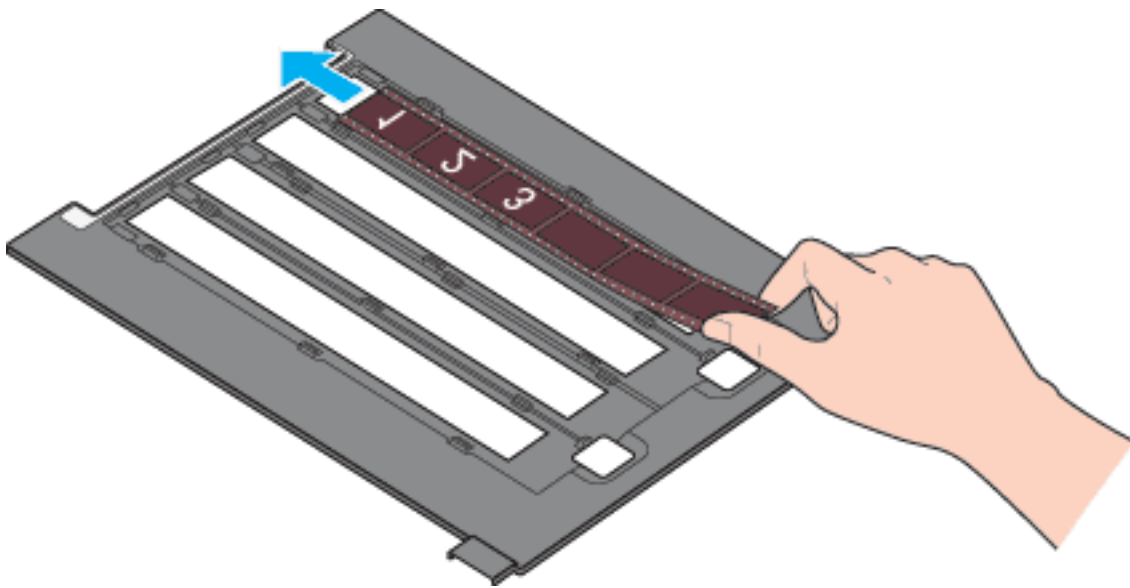
- Make sure the document cover is completely closed; otherwise the colors in your scans will be affected.
- A newton ring (ring-shaped stripe pattern) may appear in the scanned image. To remove the newton ring, set the film with the base side facing up. For details, see [A Newton ring appears in the scanned image](#).

35mm filmstrips

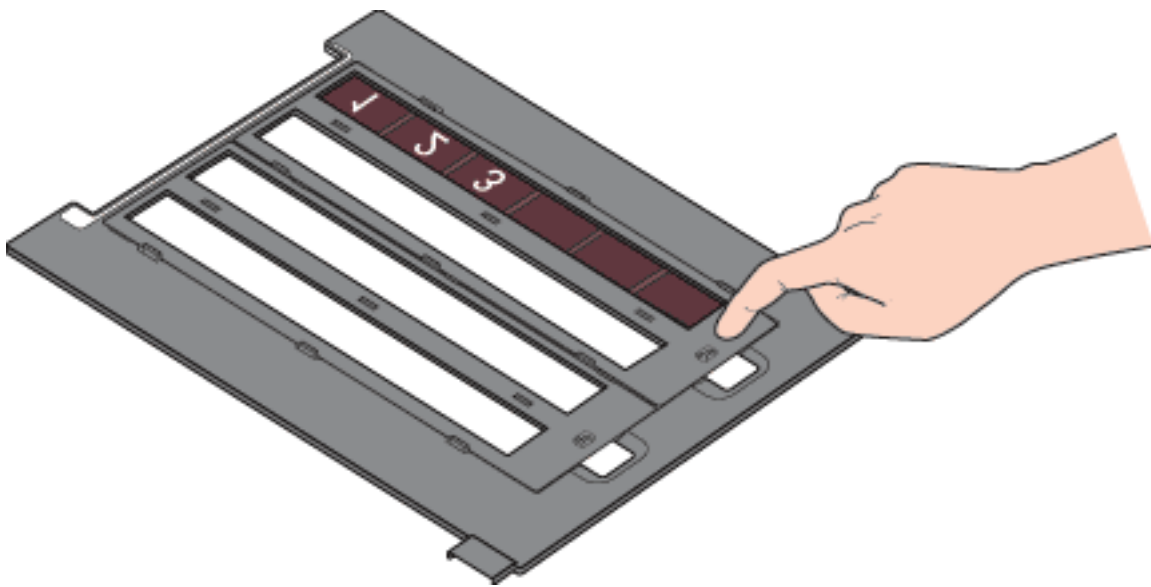
- 1 Open the 35mm filmstrip holder's cover.



- 2 Slide the edge of the filmstrip in the holder, as shown below. Slide it until all of the frames are positioned inside the film holder. You can fit up to 24 frames in the film holder.



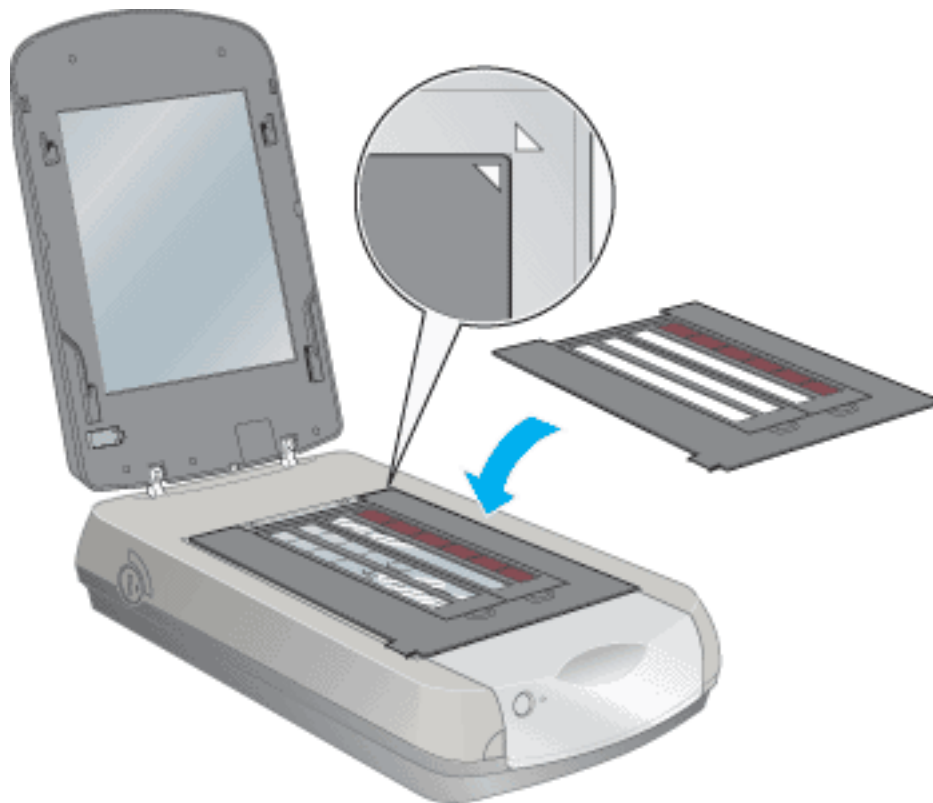
- 3 Close the film holder's cover and press it until you hear a click.



Note:

Press around the entire perimeter of the cover to make sure it is secured.

- 4 Place the film holder on the document table so that it is aligned with the upper right corner of the document table.



For more details on the scanning procedure, see [Selecting Scanner Settings](#).

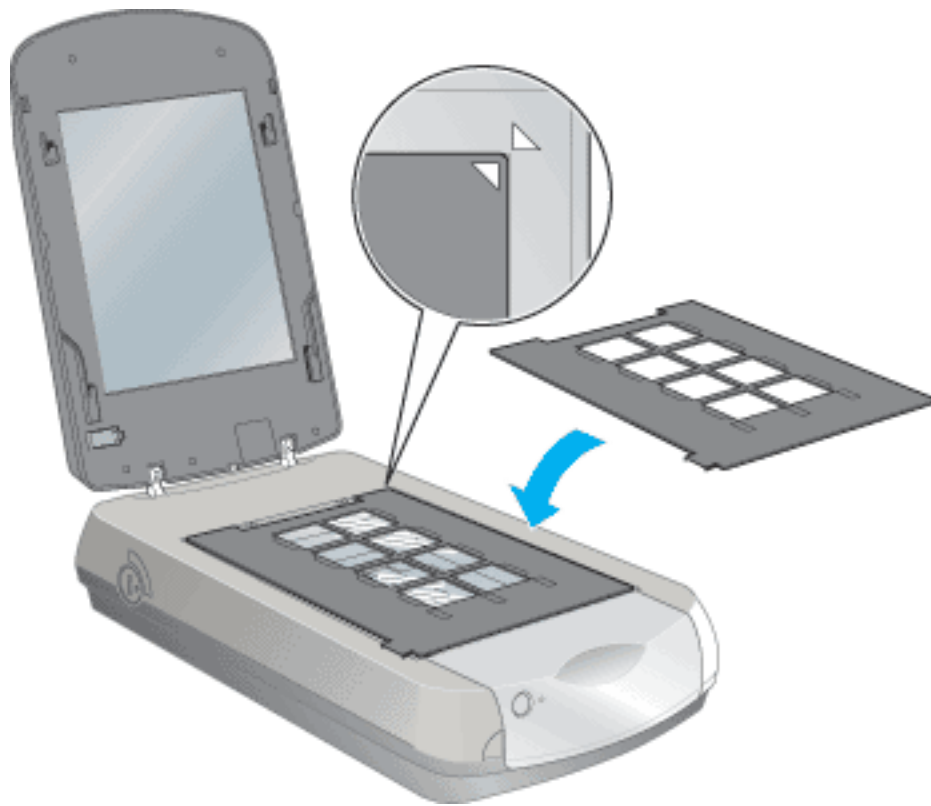


[Top]

35mm slides



Place the 35mm slide holder on the document table so that it is aligned with the upper right corner of the document table.



- 2 Place slides in the holder, as shown below.



For more details on the scanning procedure, see [Selecting Scanner Settings](#).

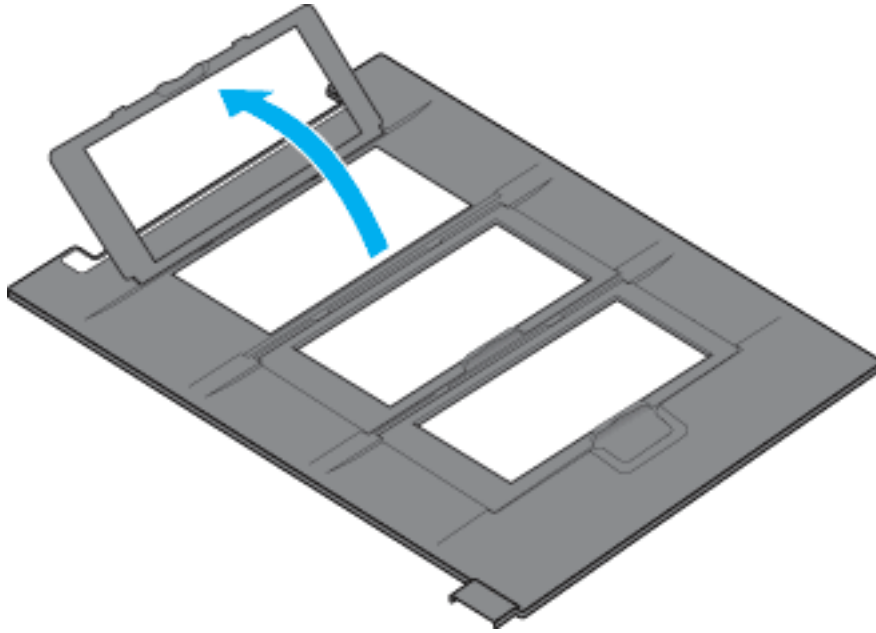


[Top]

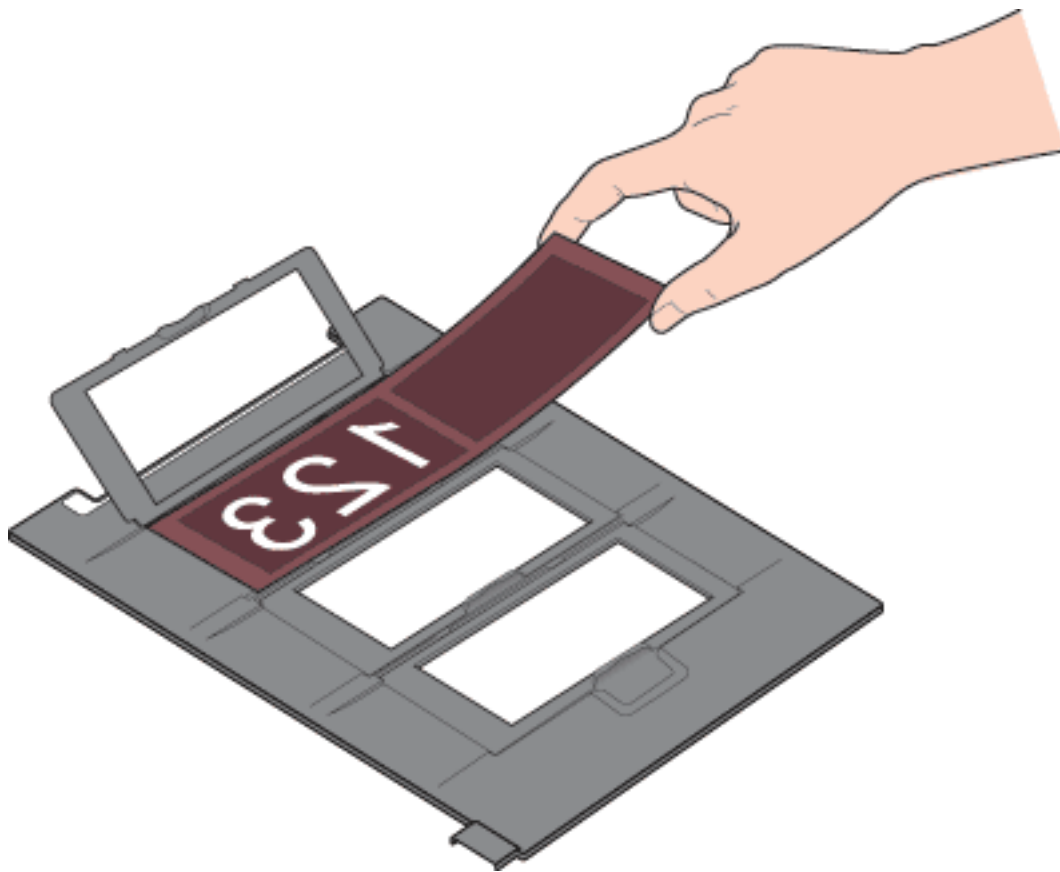
Medium Format



Open the medium format film holder's cover.



Place the film in the holder with the entire frame positioned inside the film holder opening. The maximum size film you can place in the film holder is 6 x 12 cm.



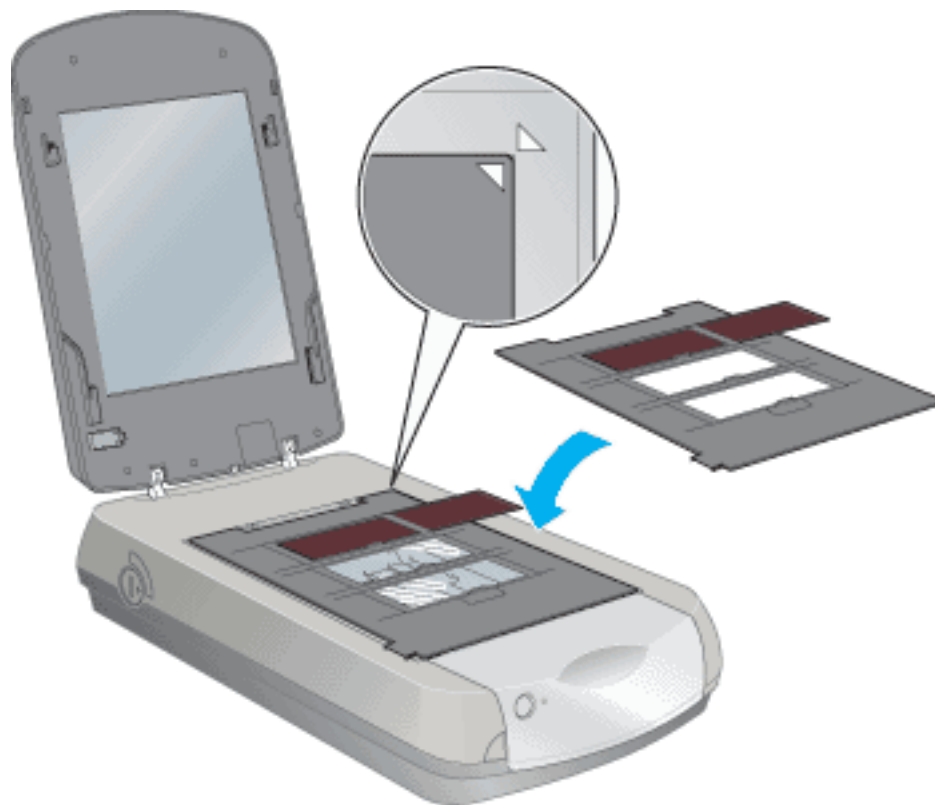
- 3** Close the film holder's cover and press until you hear a click.



 **Note:**

Press around the entire perimeter of the cover to make sure it is secured.

- 4 Place the film holder on the document table so that it is aligned with the upper right corner of the document table.



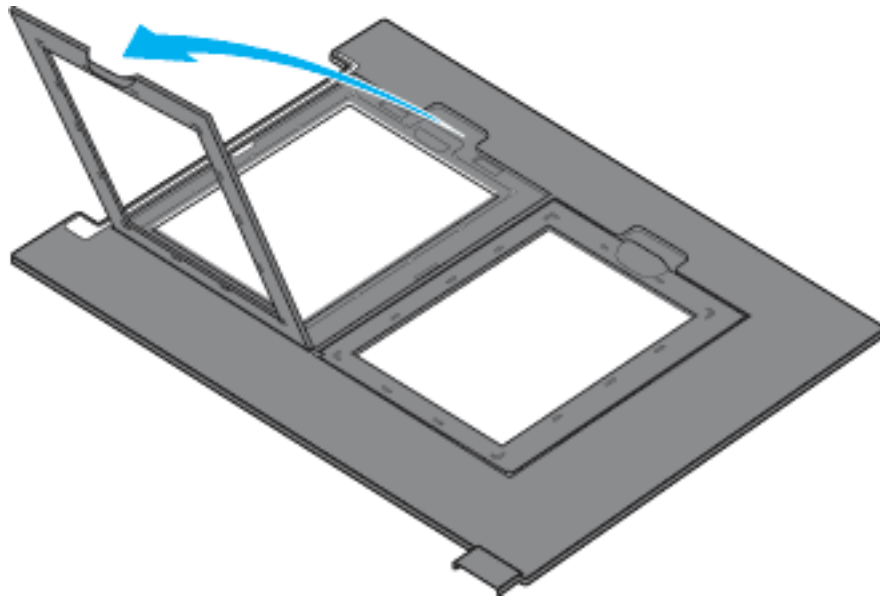
For more details on the scanning procedure, see [Selecting Scanner Settings](#).



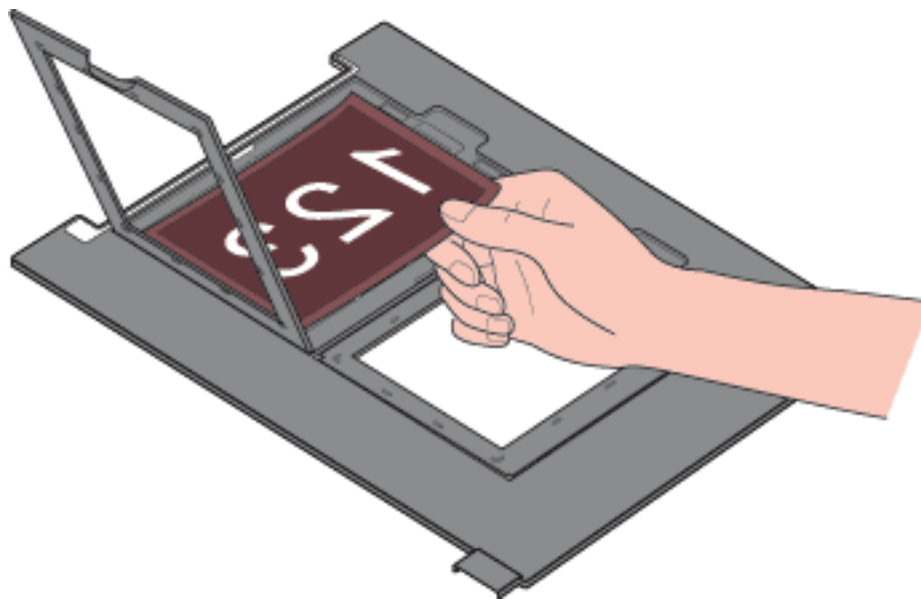
[Top]

4 x 5 inch film

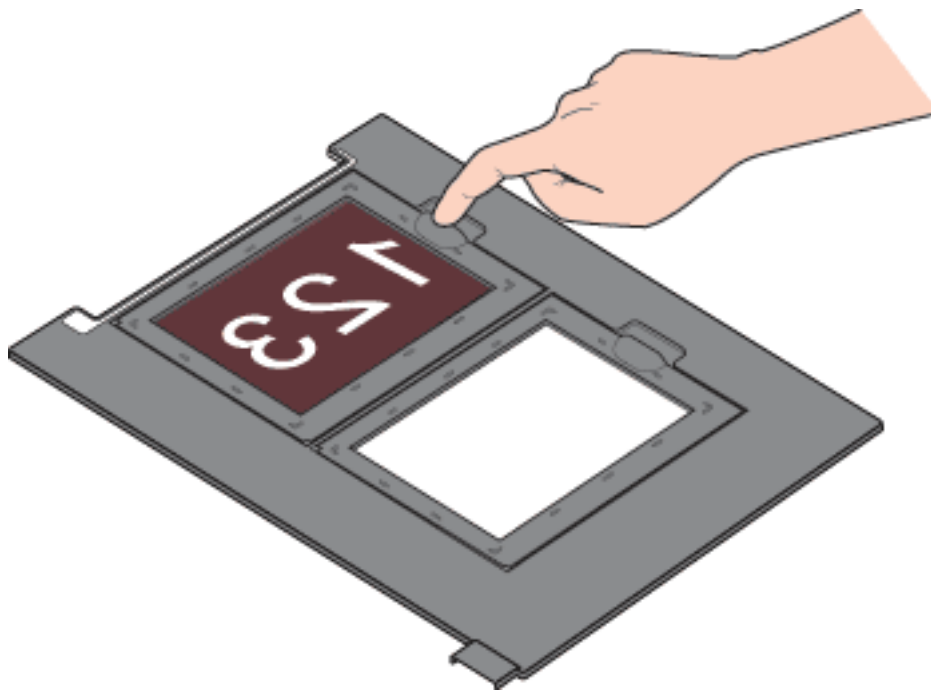
- I Open the 4 x 5 inch film holder's cover.



- 2** Place the film in the holder with the entire frame positioned inside the film holder opening.



- 3** Close the film holder's cover and press until you hear a click.

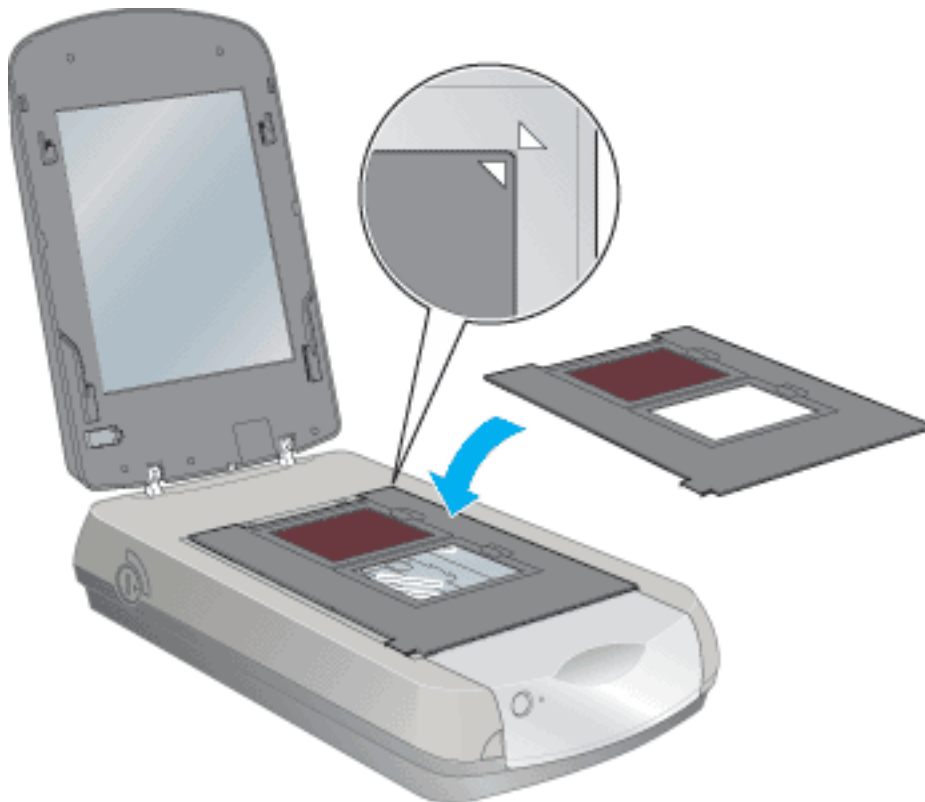


 **Note:**

Press around the entire perimeter of the cover to make sure it is secured.

4

Place the film holder on the document table so that it is aligned with the upper right corner of the document table.



For more details on the scanning procedure, see [Selecting Scanner Settings](#).



Other size film using the Film Area Guide

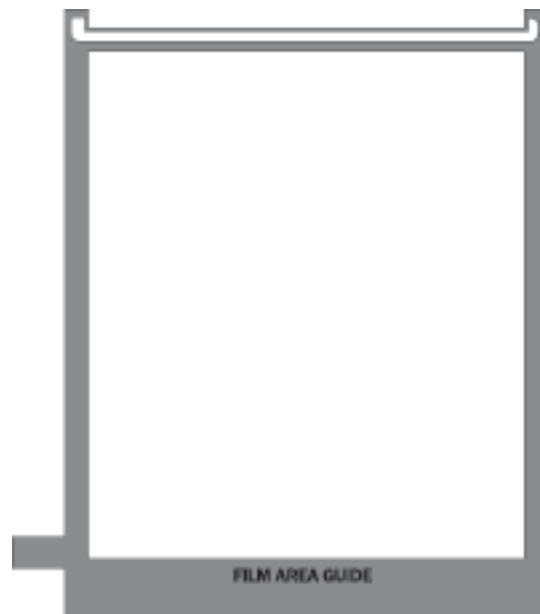
You can scan film that cannot be placed in the film holders or up to 8 x 10 inch film using the film area guide in Professional Mode. When scanning film using the film area guide, always select **Film (with Film Area Guide)** as the Document Type.

Note:

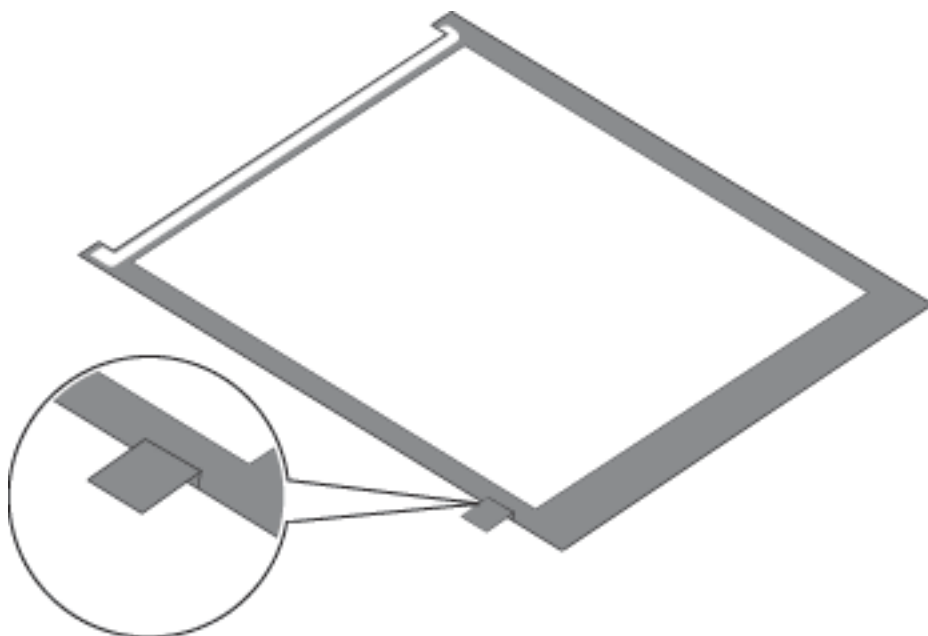
- The film area guide is stored in the reflective document mat.
- You cannot use Digital ICE when scanning film with the film area guide.
- If you want to scan 8 x 10 inch film at 4800 dpi resolution and 24 bit color for Image Type, do not save it in Bitmap, Tiff, or JPEG format, and do not scan it from Adobe Photoshop.



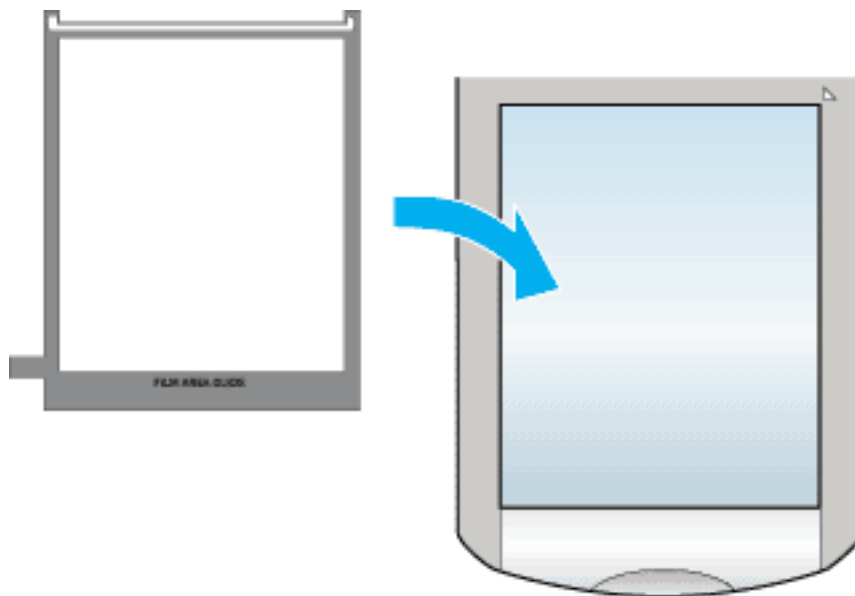
Make sure the tab on the long edge of the film area guide is on the left side.

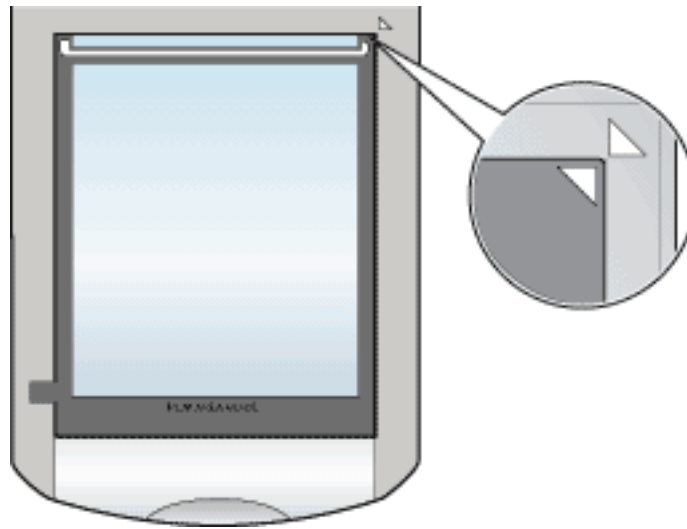


- 2** Fold the tab along the perforated lines as shown.

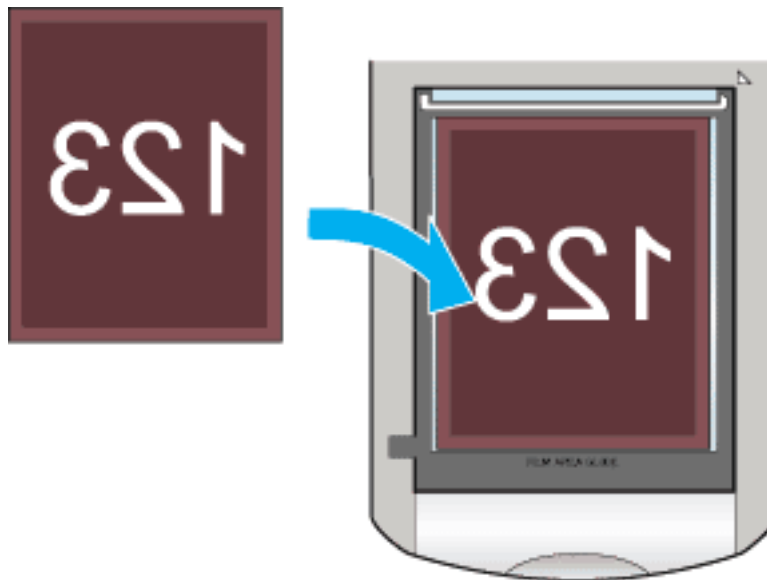


- 3** Place the film area guide on the document table.



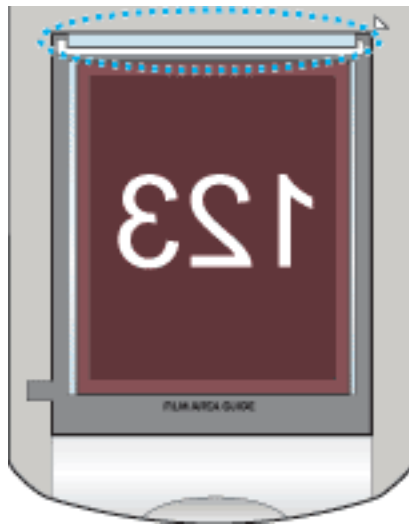


- 4 Place the film in the film area guide. The film area guide accommodates up to 8 x 10 inch film.



 **Note:**

Leave the part of the film area guide shown below uncovered or colors in your scans will be affected.



For more details on the scanning procedure, see [Selecting Scanner Settings](#).


[Top]


Next